

DVW-TD1 Thermal Body Temperature Measurement Camera with High Temperature Detection Analytics



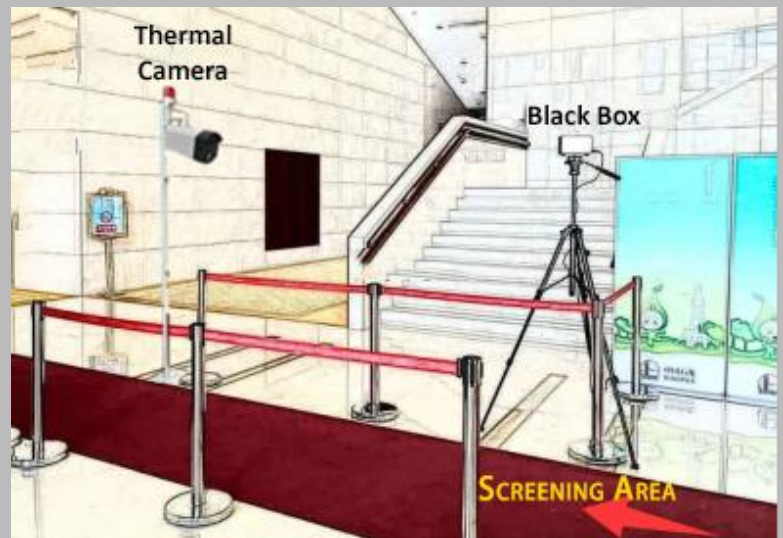
The DVW-TD1 Thermal Body Temperature Measurement Camera with High Temperature Detection Analytics is a Thermometric Bispectral Thermal Imaging Camera. Designed to screen people for high temperatures, the DVW-TD1 provides contactless body temperature detection for single or multiple people with stunning accuracy of $\pm 0.5^{\circ}$ F at half the cost of competitive products on the market.

This powerful camera system can alert operators to high temperature detection of multiple persons simultaneously and provides an audible and visible alarm with snapshot of persons detected with high temperature, so operators can quickly and easily identify an individual for further screening and verification.

The DVW-TD1 integrates full-high-definition visible imaging, a passive infrared thermal imaging detector, a thermal lens, and high-definition video coding services. The DVW-TD1 incorporates a “black box” for continuous calibration to improve the accuracy of temperature readings.

Key Features

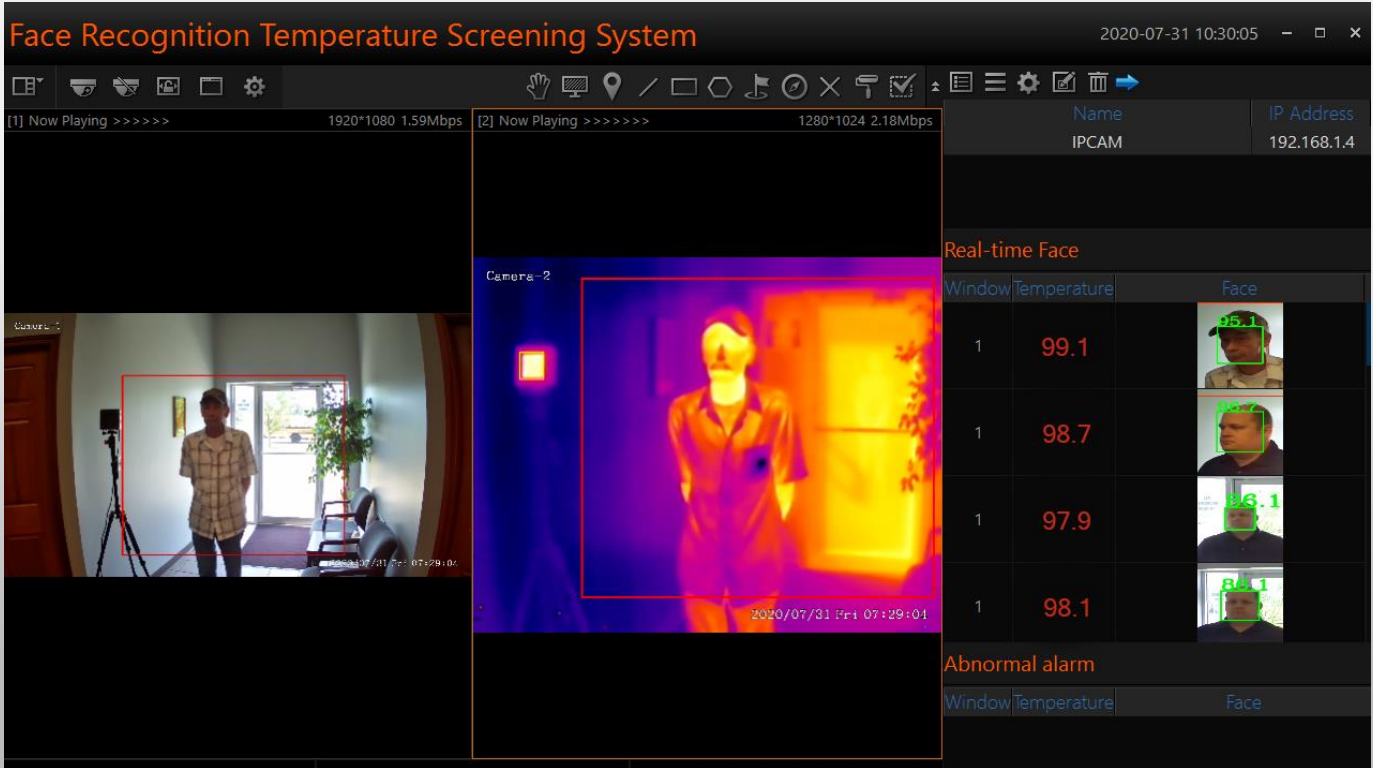
- **Automatic Contactless Temperature Detection** – The DVW-TD1 scans individual or multiple persons continuously without the need to stop at the camera for a manager to take the person’s temperature manually.
- **Multiple Available Modes** – Supports full screen/ point temperature measurement, line temperature measurement, rectangular area, irregular area temperature measurement.
- **Temperature Measurement Distance** – Options for 13mm/19mm infrared focal lens and 1-30m range temperature measurement
- **Intelligent Warnings** – High and low temperature abnormal alarm, differential temperature alarm and other early warning mechanisms



NOTE: The SAY Security DVW-TD1 Thermal Body Temperature Measurement Camera System is not a medical device. The system should not be solely or primarily used to diagnose or exclude a diagnosis of COVID-19 or any other disease. Elevated body temperature should be confirmed using secondary evaluation methods.

Phone: (800) 464-0831 · Fax: (800) 464-0832 · Email: sales@saysecurity.com

DVW-TD1 Thermal Body Temperature Measurement Camera with High Temperature Detection Analytics



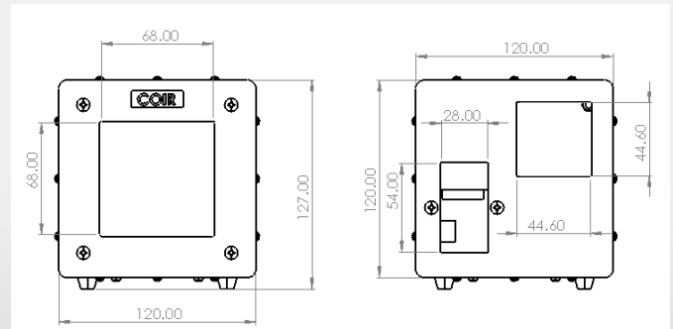
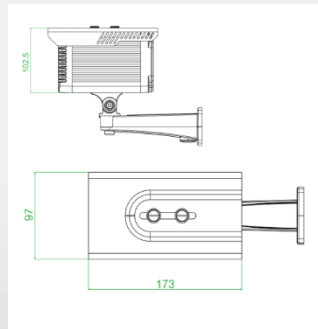
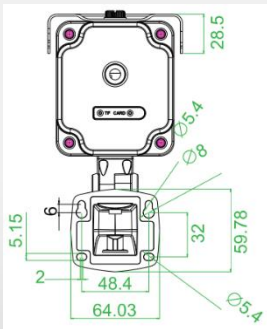
The interface shows both thermal and visual images of the individual being scanned. It can also display multiple temperature readings for the individual with real-time facial images.

With a threshold set for "high temperature," the interface can display how many individuals have temperature readings that are normal/abnormal, as well as list all abnormal temperature readings with timestamps, temperature readings, and other information.



Log type	Alarm log	Start Time	07/22/2020	12:00:00 AM	End Time	07/22/2020	7:46:24 AM	Search
State	All	Number	Time	IP Address	Temperature	Alarm type	Details	
		1	2020-07-22 06:50:58	192.168.1.4	100.40	Average T.	Over99.32,Sample T:87.47,Sample:9	
		2	2020-07-22 06:51:01	192.168.1.4	99.70	Average T.	Over99.32,Sample T:87.47,Sample:9	
		3	2020-07-22 06:51:02	192.168.1.4	99.50	Average T.	Over99.32,Sample T:87.47,Sample:9	
		4	2020-07-22 06:51:10	192.168.1.4	99.40	Average T.	Over99.32,Sample T:87.47,Sample:9	
		5	2020-07-22 06:51:11	192.168.1.4	99.40	Average T.	Over99.32,Sample T:87.47,Sample:9	
		6	2020-07-22 06:51:21	192.168.1.4	99.50	Average T.	Over99.32,Sample T:87.85,Sample:9	
		7	2020-07-22 06:51:30	192.168.1.4	99.70	Average T.	Over99.32,Sample T:88.35,Sample:9	
		8	2020-07-22 07:00:57	192.168.1.4	99.50	Average T.	Over99.32,Sample T:88.77,Sample:9	
		9	2020-07-22 07:07:55	192.168.1.4	100.00	Average T.	Over99.32,Sample T:88.77,Sample:9	
		10	2020-07-22 07:07:55	192.168.1.4	100.20	Average T.	Over99.32,Sample T:88.77,Sample:9	
		11	2020-07-22 07:08:06	192.168.1.4	100.00	Average T.	Over99.32,Sample T:88.77,Sample:9	
		12	2020-07-22 07:09:57	192.168.1.4	102.40	Average T.	Over99.32,Sample T:89.27,Sample:9	
		13	2020-07-22 07:09:58	192.168.1.4	101.50	Average T.	Over99.32,Sample T:89.27,Sample:9	
		14	2020-07-22 07:09:59	192.168.1.4	101.20	Average T.	Over99.32,Sample T:89.27,Sample:9	

DVW-TD1 Thermal Body Temperature Measurement Camera with High Temperature Detection Analytics



Technical Specifications

Visible Light Camera	
Focal Length	8mm (4mm, 6mm Optional)
Image Sensor	Sony High Performance CMOS
Image Resolution	Full HD/1080P
Maximum Frame Rate	25/30fps
Minimum Illumination	Color : 0.01Lux @(F1.4,AGC ON), ICR ON B/W : 0.005 Lux @(F1.4,AGC ON), ICR OFF
WDR	Support
Day/ Night	Auto/Color/ Black &White
3D Noise	DNR
3A Auto Control	Auto White Balance, Automatic Gain, Automatic Exposure, AWB/AGC/AE
BLC	Support
HLC	Support
Thermal Imaging Camera	
Detector Type	Uncooled Vanadium Oxide Focal Plane Detector
Image Size	256*192
Pixel	12μm
Spectral Range	7.5~13.5μm
Thermal Sensitivity (NETD)	<50 mK @ f/1.0
Thermal Lens	13mm, 19mm Optional
Palette	White Heat, Black Heat and other thermal imaging pseudo-color options
Detection Distance	Person: 1-30 meters (* Detection distance depends on the selected lens, laboratory data)
Video Image	
Video Compression Standard	H.265 / H.264 / MJPEG
Audio Compression Standard	G.711(ALAW)/MP2 /G.711(MULAN)
Maximum Image Resolution	Visible Light: 1080P (1920x1080), Thermal Imaging: 1.3MP (1280x960)
Image Effects	Rotation & Mirror, Custom Image Mode
OSD	Multi-zone Intelligent OSD, Multi-line national standard characters. The font size, color and position can be customized.



DVW-TD1 Thermal Body Temperature Measurement Camera with High Temperature Detection Analytics

Technical Specifications (cont'd.)

Intelligence (Smart)	
Accurate Temperature Measurement	Supports Full-screen Temperature Measurement ; There are 16 points, 16 lines, 16 Regular areas
Temperature Measurement Accuracy	*Human Body Mode: 86-104°F; Error: ±0.5°F (with Black Box); *Industrial Mode: High Precision Range: -4°F - +248°; Error: ±2% Range; Wide Range: -40 - +1022°F; Error: ± 5% Range
Heat Source Detection	Support
Temperature Abnormal Alarm	Temperature Increment Alarm and Differential Temperature Alarm
Intelligent Detection	Intelligent Motion Detection, Region Invasion Detection, Cross-border Detection, Entry Area Detection, Leave Area Detection, etc. External Sensor Linkage
Intelligent Coding	Supports Low Bit Rate and Low Delay Adaptive Coding
Dynamic ROI	Dynamic Region of Interest (ROI) Settings to Support Fixed Region Settings or Dynamic Tracking
Intelligent Alarm	Network Disconnection Detection, IP Conflict Detection, Storage Card Status Detection, Storage Space Detection
Other Functions:	One-click Factory Setting Recovery, Anti-flicker, Three-bit stream, Heartbeat, Image Rotation, Privacy Mask, Watermarking, Access Port Settings
Network	
Protocol	IPv4,TCP/IP,UDP,HTTP,DHCP,RTP/RTCP,FTP,UPnP,DDNS,NTP,IGMP,ICMP
Compatibility Protocol	ONVIF, GB/T 28181
Security Mode	Password Protection, Multi-level User Access Rights
User Maintenance	Can be upgraded remotely through the network to achieve remote maintenance
Log management	Supports Log management, Operation Log, Alarm Log, Abnormal Log Record & Query
API integration	Supports Micro SDHC/SDXC, TF Card Offline Storage (selection), Video Clips and Snapshots (selection) Storage, with the back-end platform to achieve secondary intelligent retrieval, analysis, and playback of event video.
Interface	
Communication Interface	1 Ch RJ45 10M/100M Adaptive Ethernet Port
Power Interface	DC12V, 2.1 Direct Interpolation
Others	Alarm I/O, Audio, SD Card Interface, etc.
General	
Working Temperature	-22°F~+140°F
Environmental Humidity	Less than 90% RH (No Condensation)
Electrostatic/Surge Protection	TVS 6000V lightning protection, surge protection and surge protection, in line with GB/T17626.5 four-level standards
Protection Level	IP66
Power Supply	DC12V ± 10%
Power	About 6 W
Dimensions (mm)	L150 x W85 x H98 (without housing and brackets) L173 x W97 x H103 (with housing, without bracket)
Weight	About 980g
Standard Wall - Mounted Bracket	Bracket Mounted at the Bottom